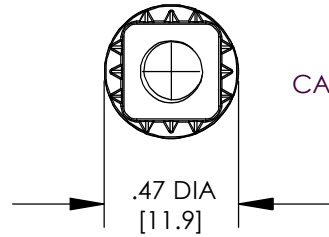
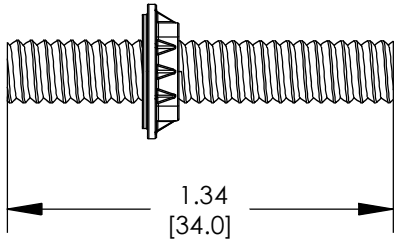
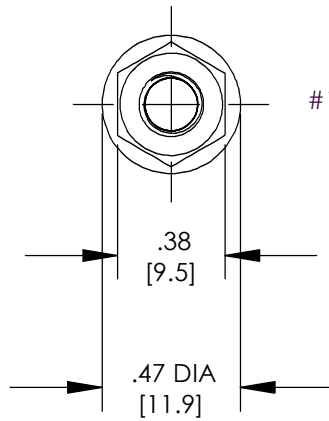


THIS COPY IS PROVIDED ON A RESTRICTED BASIS AND IS NOT TO BE USED IN ANY WAY DETRIMENTAL TO THE INTERESTS OF PANDUIT CORP.



CAGE NUT BONDING STUD (QTY. 4)



#12-24 BONDING NUT (QTY. 4)



5cc TUBE ANTI-OXIDANT PASTE (QTY. 1)

NOTES:

1. CAGE NUT BONDING STUD KIT
PART NUMBER: CGNB4SK
2. DIMENSIONS IN PARENTHESIS ARE
MILLIMETERS.
3. ALL COMPONENTS THAT MAKE UP THIS KIT
ARE RoHS COMPLIANT.

C41723_00

PANDUIT CORP. TINLEY PARK, ILLINOIS

CAGE NUT BONDING STUD KIT
(CGNB4SK)
CUSTOMER DRAWING

REV	DATE	BY	CHK	DESCRIPTION	ECN	PM	CUST	DRAWN BY	CHK'D	SCALE	DRAWING NO / CAD FILE
00	6/07	JHNU	DWDA	DRAWING RELEASED				JHNU		NONE	C41723

Mouser Electronics

Authorized Distributor

Click to View Pricing, Inventory, Delivery & Lifecycle Information:

[Panduit:](#)

[CGNB4SK](#)